



# Drop Inlet Measurement Sheet (DIMS) Instructions for Rectangular, Square, or Round Grate Inlets that are Flat or Bent



## PLAN YOUR WORK. WORK YOUR PLAN

### Personal Protective Equipment

1. Steel toed shoes
2. Work gloves
3. Hi-viz vest
4. Traffic Cones
5. Knee pads
6. Face mask
7. Water to drink & wash hands

### Equipment for Measurement

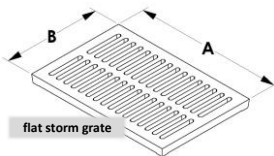
1. Measurement tape (metric preferred but imperial inches are OK)
2. Grate removal tool (a hay hook works most times)
3. Long rod or bar to measure total depth
4. Scraper & trash bag to clean frame shelf (hand trowel works well)
5. Camera (smart phone)
6. Measurement worksheet, clip board, pen
7. Map of grate locations

### Time to Measure

Expect to take about 15 to 20 minutes to measure your first storm drain. Subsequent drains may only take less than 5 minutes each plus travel time.

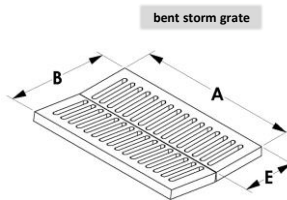


ASK A BUDDY TO HELP YOU MEASURE AND RECORD THE INFORMATION BECAUSE IT'S SAFER, FASTER, AND FUNNER

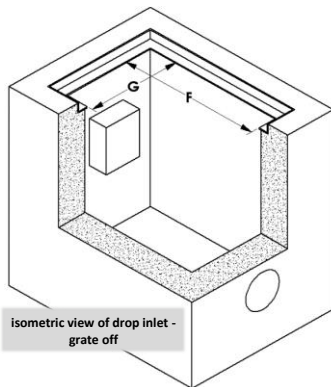


flat storm grate

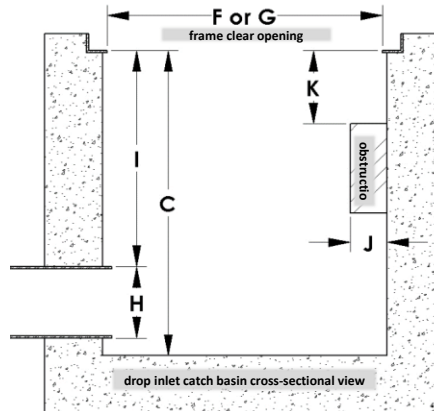
PLEASE PROVIDE MEASUREMENTS WITHIN 1/4" (6 mm) FOR BEST RESULTS



bent storm grate



isometric view of drop inlet - grate off



drop inlet catch basin cross-sectional view

### Measurement Procedure

1. Safety first
2. Take a landmark picture
3. Remove storm grate
4. Clean the frame for accurate measurements
5. Obtain all necessary dimensions for quote or fulfillment
6. Use measurement sheet to record information
7. Take a top view and isometric view picture with grate off
8. Replace storm grate & remove equipment from area

### Dimensions Required for a Quote:

- A - Length of rectangular grates; diameter of round grates
- B - Width of storm grate
- C - Total depth from grate shelf to bottom of catch basin
- D - Curb box (aka curb inlet or throat) clear opening (if present)
- E - Bent grate distance from edge of storm grate to bend

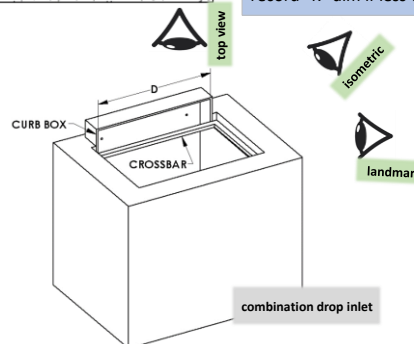
### Dimensions Required for Manufacture & Order Fulfillment:

- A thru E, plus:
- F - Clear opening length for rectangular frames; clear opening diameter for round frames
  - G - Clear opening width
  - H - Diameter of outlet pipe
  - I - Distance from frame to top of outlet pipe
  - J - Distance an obstruction protrudes into the catch basin
  - K - Distance a protrusion is present below the frame shelf (only record "k" dim if less than 10"

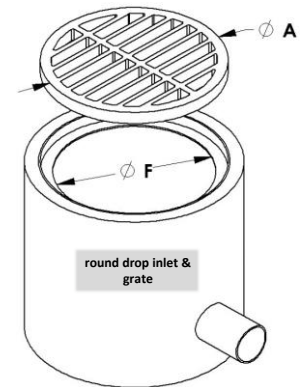


landmark

HELPFUL HINT: TAKE A PICTURE WITH A MEASUREMENT TAPE ACROSS THE OPEN STORM DRAIN. THIS HELPS PROVIDE SCALE



combination drop inlet



round drop inlet & grate

### Good Input = Good Output

Our Gutter Bins can fit a lot of different types of storm drain configurations, but there always seems that we find a unique one every now and then. We kindly ask that you take your time and retrieve the most accurate information possible about your stormwater network. Also, if you discover a better way for us to communicate with you, or improve our product, then please let us know.

### Three Pictures

- Top view (grate off): close up with entire frame in view
- Isometric (grate off): an angled view of the catch basin
- Landmark (grate on) with recognizable object in background

### Send us the info:

send scanned or electronic version to [sales@frogcreekpartners.com](mailto:sales@frogcreekpartners.com)  
We recommend saving files something like this:  
State\_City\_Organization\_Catch Basin ID,

Example: WY\_Casper\_FrogCreekPartners\_FrontShop\_1

### Special Notes:

- Minimum Total Depth (C) of a catch basin storm drain for filter insert is approx. 20" from frame shelf to bottom of catch basins
- For best filtering results the outlet pipe invert depth (I + H) should be greater than 20" so water runs through the water filter
- An obstruction present within the top 10" of a catch basin may require filter customization or prevent installation
- We recommend that the catch basins be cleaned prior to prior to measurement, or at least prior to Gutter Bin install.

Please email completed forms to Frog Creek Partners at [sales@frogcreekpartners.com](mailto:sales@frogcreekpartners.com), or send to 800 W. Yellowstone Hwy, Casper, WY 82601 USA [www.frogcreekpartners.com](http://www.frogcreekpartners.com) Phone: (307) 797-7720

© 2020 Frog Creek Partners, LLC, All rights reserved, the Gutter Bin® stormwater filtration system and Mundus Bag® water filter are patent pending and patented (US 10,334,839)



# Drop Inlet Measurement Sheet (DIMS)

for Drop Inlet & Combination Inlet Catch Basins Rectangular, Square, or Round Storm Grates that are Flat or Bent



CLIENT CONTACT INFORMATION			
Organization:			
Job Name:			
Job Address:	City/State/Zip:		
Contact Name:			
Email:	Phone:		

Associated PO#: \_\_\_\_\_

**Client Classification:**

Municipal

Industrial

Construction

Commercial

Sponsor

\_\_\_\_\_

Sheet: \_\_\_\_ of \_\_\_\_

**Unit of Measure**

Inches (imperial)

Millimeters (metric)

**Requested Result:**

Prepare an estimate

Build & fulfill order

PLEASE PROVIDE MEASUREMENTS WITHIN 1/4" (6 mm) AND COMPLETE THIS WORKSHEET AS THOROUGHLY AS POSSIBLE FOR BEST RESULTS. Thank you!

Catch Basin ID for (# or location)	Info Required for Quote						Additional Info Required for Order Fulfillment						
	Storm Grate Length (Diameter for Round)	Storm Grate Width	Catch Basin Total Depth	Curb Box (throat) Length (If Present)	Bent Grate Distance (If Present)	Sample or vector port required?	Clear Opening Length (Diameter for Round)	Clear Opening Width	Outlet Pipe Dia.	Top of Outlet Pipe	Obstruction Width (If Present)	Obstruction Depth (If Present)	Three Pictures <input type="checkbox"/> Top view <input type="checkbox"/> Isometric <input type="checkbox"/> Landmark
	A	B	C	D	E	Y/N?	F	G	H	I	J	K	T <input type="checkbox"/> I <input type="checkbox"/> L <input type="checkbox"/>
1.													T <input type="checkbox"/> I <input type="checkbox"/> L <input type="checkbox"/>
2.													T <input type="checkbox"/> I <input type="checkbox"/> L <input type="checkbox"/>
3.													T <input type="checkbox"/> I <input type="checkbox"/> L <input type="checkbox"/>
4.													T <input type="checkbox"/> I <input type="checkbox"/> L <input type="checkbox"/>
5.													T <input type="checkbox"/> I <input type="checkbox"/> L <input type="checkbox"/>

<p><b>PICTURES IN ORDER OF PRIORITY:</b></p> <p>Please take these three (3) pictures of each catch basin in order of priority:</p> <ol style="list-style-type: none"> <li>Top view with grate removed &amp; clear view of the walls and bottom of catch basin</li> <li>Isometric view: an angled view from the top and side</li> <li>Location View: a picture of the storm grate with a recognizable landmark in back.</li> </ol>	<p>We can provide an electronic worksheet to make it easier for larger orders</p>	<p><b>SPECIAL NOTE ON OBSTRUCTIONS AND MEASUREMENTS:</b></p> <p>If any obstructions or protrusions exist within the catch basin, please provide photos and accurate measurements to ensure proper product selection and fulfillment. Submittal of this form represents that the customer acknowledges that all details provided are accurate, and that any issues resulting from inaccurate information herein are the responsibility of the customer or client.</p> <p>If measurement K is less than 10", then an obstruction cover may be required.</p>
---	---	---

<p>NOTES:</p>	<p><b>Type of Stormwater Pollution:</b> (Check all that apply)</p> <p><input type="checkbox"/> Trash (5mm in size or greater)</p> <p><input type="checkbox"/> Sediment</p> <p><input type="checkbox"/> Oils &amp; Greases (hydrocarbons)</p> <p><input type="checkbox"/> Heavy metals</p> <p><b>Preferred Method of Maintenance:</b></p> <p><input type="checkbox"/> Manual maintenance - disposable single use water filters</p> <p><input type="checkbox"/> Mechanical maintenance - reusable vacuum truck friendly filters</p>
---------------	---

Please email completed forms to Frog Creek Partners at [sales@frogcreek.partners](mailto:sales@frogcreek.partners), or send to 800 W. Yellowstone Hwy, Casper, WY 82601 USA [www.frogcreek.partners](http://www.frogcreek.partners) Phone: (307) 797-7720